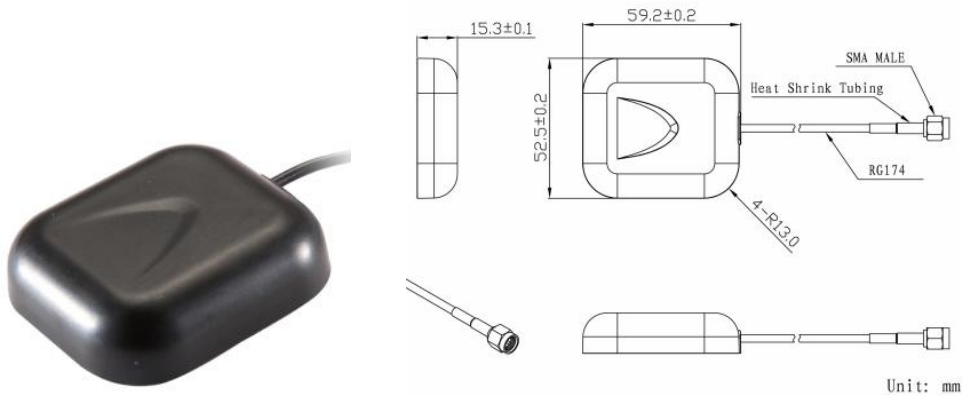




GLOBAL EAST ASIA TECHNOLOGY CO.,LIMITED
<http://www.global-antenna.com>



Unit: mm

Electrical Index		
Product Name	GPSGlonass+WiFi/LTE Antenna	
Product Number	GL-DY0571	
Frequency Range-MHz	1575.42-1610	806-960/1710-2690
Band Width-MHz	CF±5	166/460
V.S.W.R	≤1.5	≤2.0
Gain-dBi	2.0dBic(Zenith)	2.0
LNA Gain-dBi	34	--
Polarization	RHCP	Linear
Supply Voltage	2.2-5V DC	
Current Consumption	5-15mA	
Input Impedance-Ω	50	
Mechanical Index		
Connector	SMA male	
Antenna Dimension-mm	59.2*52.5*15.3	
Installation way	Magnet	
Ingress Protection	IP65-IP67(exclude cable outlet)	
Vibration	10 to 55MHz with 1.5mm amplitude 2 hours	
Relative Humidity	Up to 95%	
Environmentally Friendly	ROHS Compliant	
Temperature-℃	-40-+85	