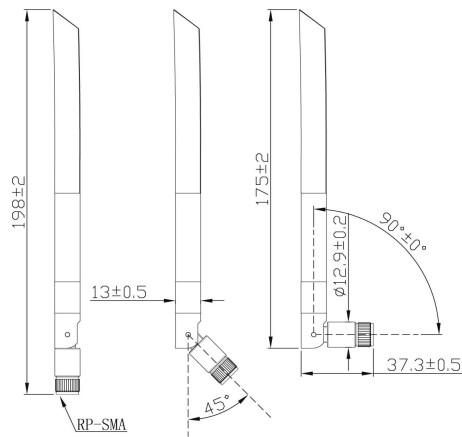


GLOBAL EAST ASIA TECHNOLOGY CO.,LTD

GL-DY410L



Unit: mm

Item	Specifications	
Antenna	Center Frequency	698~960/1710~2690MHz
	Polarization	Linear
	Gain	3dBi typ.
	V.S.W.R	<3.0
	Impedance	50Ω
	Connector	SMA Male
Environmental	Operating Temperature	-40°C~+85°C
	Vibration	10 to 55Hz with 1.5mm amplitude 2hours
	Environmentally Friendly	ROHS Compliant